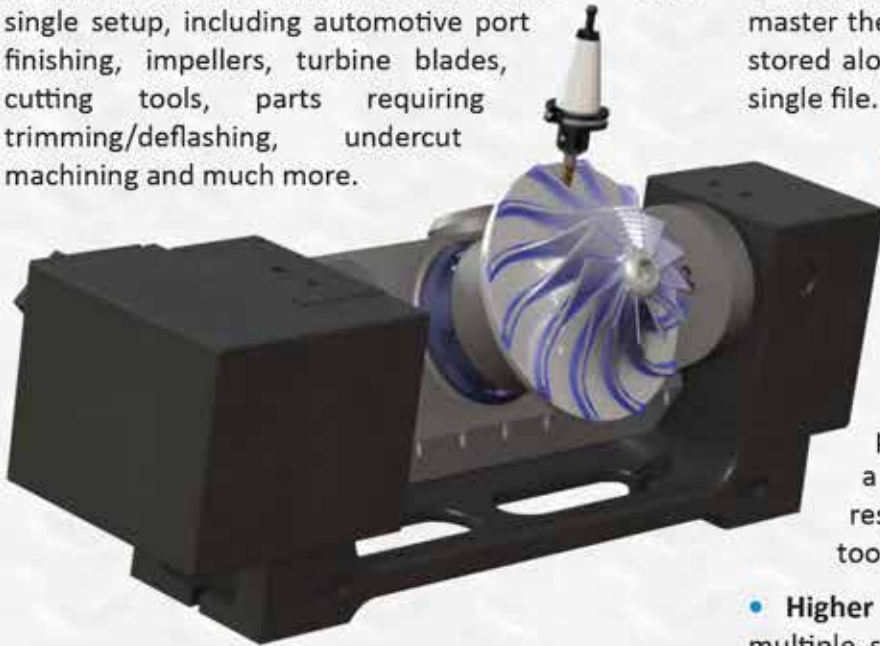


- **CAMWorks Multi-Axis Machining** gives shops and manufacturing facilities the ability to take full advantage of 4-/5-Axis machines that provide greater productivity, equipment flexibility, and higher quality. CAMWorks Multi-Axis Machining creates toolpaths across complex shapes that would require multiple setups on 3-Axis machines, to be machined in a single setup, including automotive port finishing, impellers, turbine blades, cutting tools, parts requiring trimming/deflashing, undercut machining and much more.



- **Knowledge-Based Machining** allows you to capture and reuse your programmers' and machinists' best programming practices using the patented TechDB (Technology Database). The TechDB reduces programming time by as much as 80% and provides a company-owned database to store employee knowledge and skill.

- **Full Model to Toolpath Associativity** automatically updates the toolpaths and CAM data to design changes made to the model

- **Reduce Cycle Time:** Shorter cutting tools can be used since the tool can be tilted to adjust the angle between the cutter and the part. The increased rigidity of shorter tools allows you to take advantage of the high-speed options to machine at higher speeds with no loss in accuracy.

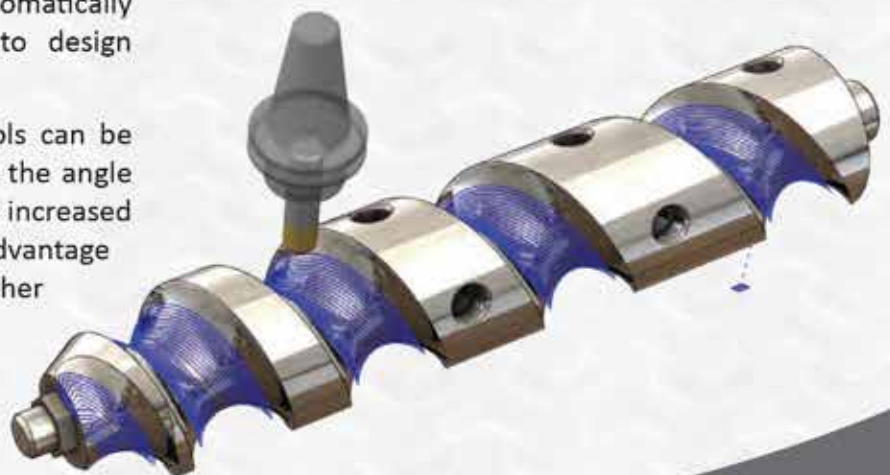
- **Seamless Integration Inside Solid Edge** ensures that the design model and CAM model share a common interface with the same intuitive menus, toolbars, and view manipulation, thus allowing users to quickly master the software. The CAM data is integrated and stored along with the CAD model automatically in a single file.

- **Improve Surface Finish:** Generating 5-Axis swarf toolpaths instead of traditional 3-Axis toolpaths can result in fewer cut passes and improved surface finish

- **Extend Tool Life** by optimizing the angle between the tool and the surface; it is possible to achieve a constant chip load and a high feedrate at the contact point. The result is improved surface finish and extended tool life.

- **Higher Quality Parts** that previously required multiple setups can be machined in a single setup with simultaneous control of the rotary axis. In addition to saving time, a single setup improves the quality and accuracy of the parts and eliminates mistakes that can result from doing multiple setups.

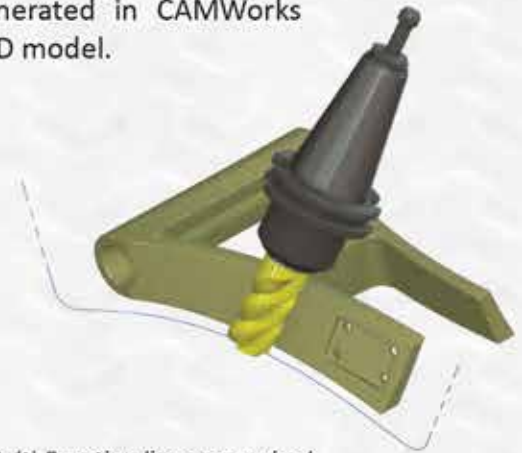
- **Advanced Roughing** options include multiple cuts normal to the surface, multiple cut depths along the tool axis, and full 5-Axis plunge roughing



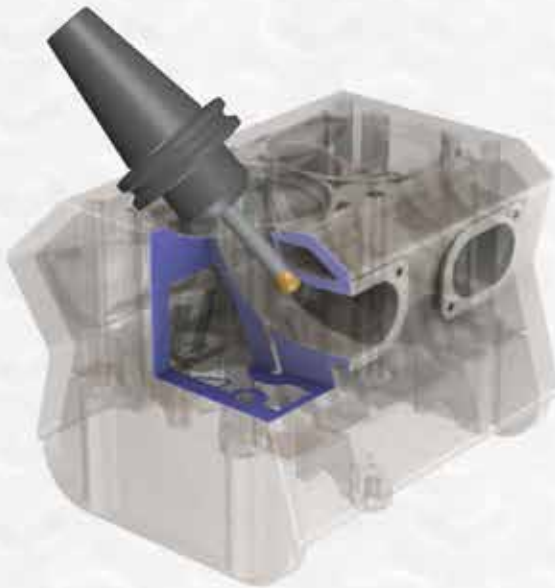
- **Collision Detection** looks at each toolpath and the surfaces to decide if the tool tip, tool shaft, or holder will collide. The check is done at each calculated tool position. Groups of surfaces can be defined, each with its own avoidance strategy.
- **3-Axis Undercut Machining** for complex parts using lollipop and keyway cutters
- **Impeller Blade Machining** options provide more control for machining impeller blades
- **Rest Machining Options** take advantage of existing stock geometry to minimize air cuts during roughing operations
- **Numerous Options** provide simple and easy trimming of vacuum-formed or fiber-reinforced plastic parts
- **Machine Simulation\*** provides a realistic simulation of the complete machine tool, enabling collision

checking between the tool and the machine components

- **True G-Code Verification\*** validates the actual code before running it on the machine. This simulation shows the toolpath based on the G-code generated in CAMWorks and the CAD model.



*\*Advanced Multi-Function license required*



CAMWorks Modules are available in a variety of bundles or combinations:

- 2.5-Axis Mill
- 3-Axis Mill
- Multi-Axis Machining
- Mill Turn
- 2- and 4-Axis Turning
- Wire EDM
- CAMWorks VoluMill™
- CAMWorks Virtual Machine



Hello, I'm from HCL's Engineering and R&D Services. We enable technology led organizations to go to market with innovative products and solutions. We partner with our customers in building world class products and creating associated solution delivery ecosystems to help bring market leadership. We develop engineering products, solutions and platforms across Aerospace and Defense, Automotive, Consumer Electronics, Software, Online, Industrial Manufacturing, Medical Devices, Networking & Telecom, Office Automation, Semiconductor and Servers & Storage for our customers.

For more details contact: [camworks.inquiries@hcl.com](mailto:camworks.inquiries@hcl.com)  
Visit our website: <http://www.camworks.com>

**HCL**

**Contact us**

US: +1.480.367.0132 | Europe: +49.711.49.039.730 | APAC: +91.22.67056880